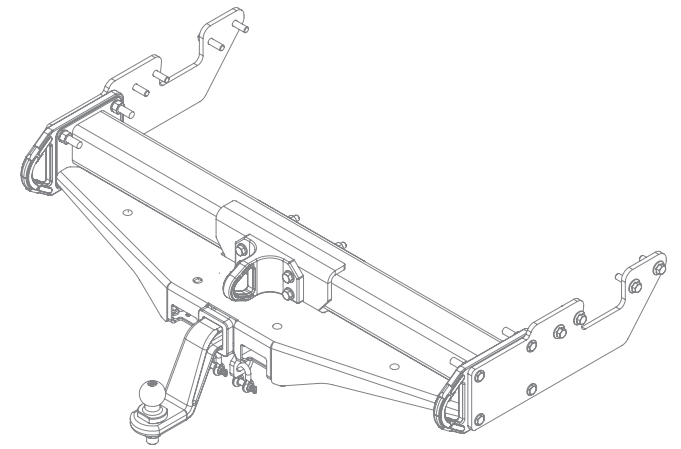




X-BAR SUITABLE FOR TOYOTA HILUX KUN



MODEL	SERIES	VARIANT	YEAR START	YEAR END	TOWING CAPACITY	PART NUMBER
HiLux	KUN/GGN/TGN	Cab Chassis	Feb-05	Aug-15	Up to 2,500 Kg	03233RW
Towbar Class					Class 4 50x50 mm square	
Centre Recovery Point Rating					8,000 Kg	
Side Recovery Point Rating (single)					4,000 Kg	
Vehicle specific SmartClick™ wiring harness					Yes	
Rated D-Shackles					2	
Flat Sided Superior Finish Towball					Yes	
MetalShield™ e-Coat & powder coated protective finish					Yes	
Warranty Period					Hayman Reese Lifetime	
Meets Australian Design Rules (ADR) requirements					Yes	
Tested to AS/4177 & ADR 62/02 in a NATA accredited laboratory					Yes	
Tested to industry standards for Static Overload, Durability & Recovery Overload					Yes	

