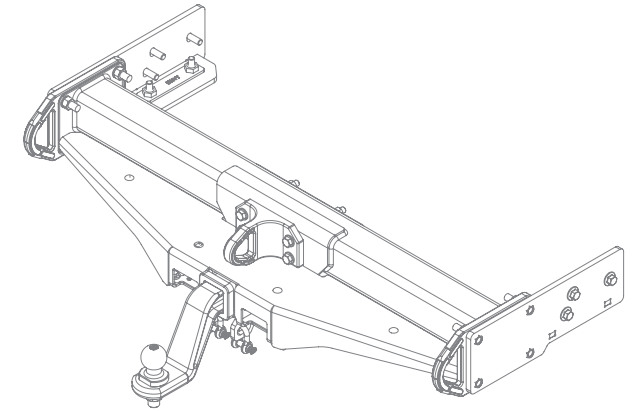




# X-BAR SPECIFICATIONS

## ISUZU D-MAX



MODEL	SERIES	VARIANT	YEAR START	YEAR END	TOWING CAPACITY	PART NUMBER
D-Max	TF	Cab Chassis	Jun-12	Jul-20	Up to 3,500 Kg	03242RW
Towbar Class		Class 4 50x50 mm square				
Centre Recovery Point Rating		8,000 Kg				
Side Recovery Point Rating (single)		4,000 Kg				
Vehicle specific SmartClick™ wiring harness		Yes				
Rated D-Shackles		2				
Flat Sided Superior Finish Towball		Yes				
MetalShield™ e-Coat & powder coated protective finish		Yes				
Warranty Period		Hayman Reese Lifetime				
Meets Australian Design Rules (ADR) requirements		Yes				
Tested to AS/4177 & ADR 62/02 in a NATA accredited laboratory		Yes				
Tested to industry standards for Static Overload, Durability & Recovery Overload		Yes				

