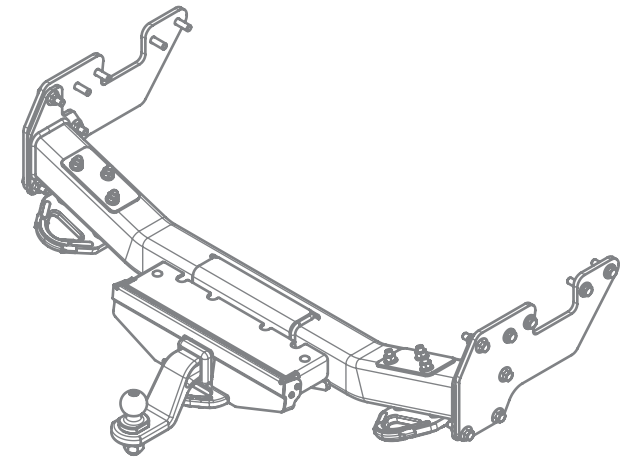




X-BAR SPECIFICATIONS

TOYOTA HILUX GUN



MODEL	SERIES	VARIANT	YEAR START	YEAR END	TOWING CAPACITY	PART NUMBER
HiLux	GUN	4D - Ute	Oct-15	On	Up to 3,500 kg	03300XW
Towbar Class					Class 4 50x50 mm square	
Centre Recovery Point Rating					8,000 kg	
Side Recovery Point Rating (single)					4,000 kg	
Vehicle specific SmartClick™ wiring harness					Yes	
Rated D-Shackles					2	
Flat Sided Superior Finish Towball					Yes	
MetalShield™ e-Coat & powder coated protective finish					Yes	
Warranty Period					Hayman Reese Lifetime	
Meets Australian Design Rules (ADR) requirements					Yes	
Tested to AS/4177 & ADR 62/02 in a NATA accredited laboratory					Yes	
Tested to industry standards for Static Overload, Durability & Recovery Overload					Yes	

