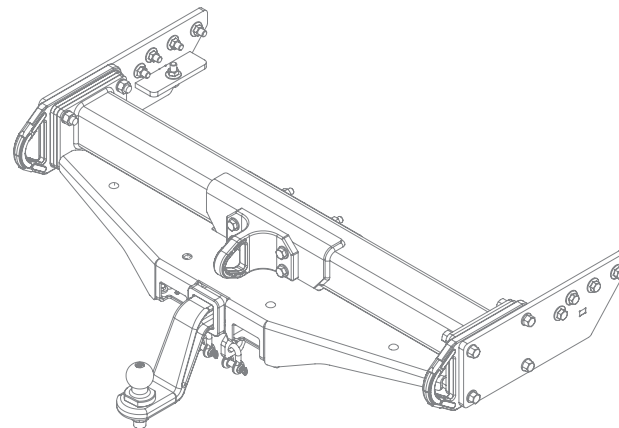




X-BAR SPECIFICATIONS

MITSUBISHI TRITON



MODEL	SERIES	VARIANT	YEAR START	YEAR END	TOWING CAPACITY	PART NUMBER
Triton	MR	Cab Chassis	Nov-18	On	Up to 3,100 kg	03287RW
Towbar Class		Class 4 50x50 mm square				
Centre Recovery Point Rating		8,000 kg				
Side Recovery Point Rating (single)		4,000 kg				
Vehicle specific SmartClick™ wiring harness		Yes				
Rated D-Shackles		2				
Flat Sided Superior Finish Towball		Yes				
MetalShield™ e-Coat & powder coated protective finish		Yes				
Warranty Period		Hayman Reese Lifetime				
Meets Australian Design Rules (ADR) requirements		Yes				
Tested to AS/4177 & ADR 62/02 in a NATA accredited laboratory		Yes				
Tested to industry standards for Static Overload, Durability & Recovery Overload		Yes				

