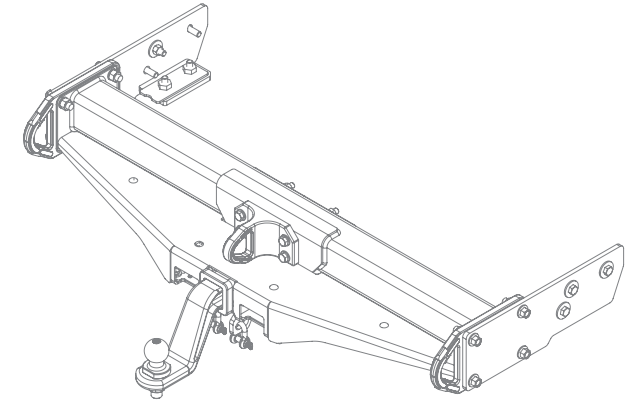




X-BAR SPECIFICATIONS

FORD RANGER



MODEL	SERIES	VARIANT	YEAR START	YEAR END	TOWING CAPACITY	PART NUMBER
Ranger	PX	Cab Chassis	Nov-11	On	Up to 3,500 kg	03230RW
Towbar Class						Class 4 50x50 mm square
Centre Recovery Point Rating						8,000 kg
Side Recovery Point Rating (single)						4,000 kg
Vehicle specific SmartClick™ wiring harness						Yes
Rated D-Shackles						2
Flat Sided Superior Finish Towball						Yes
MetalShield™ e-Coat & powder coated protective finish						Yes
Warranty Period						Hayman Reese Lifetime
Meets Australian Design Rules (ADR) requirements						Yes
Tested to AS/4177 & ADR 62/02 in a NATA accredited laboratory						Yes
Tested to industry standards for Static Overload, Durability & Recovery Overload						Yes

